

DOL 16 0-10V

Light sensor

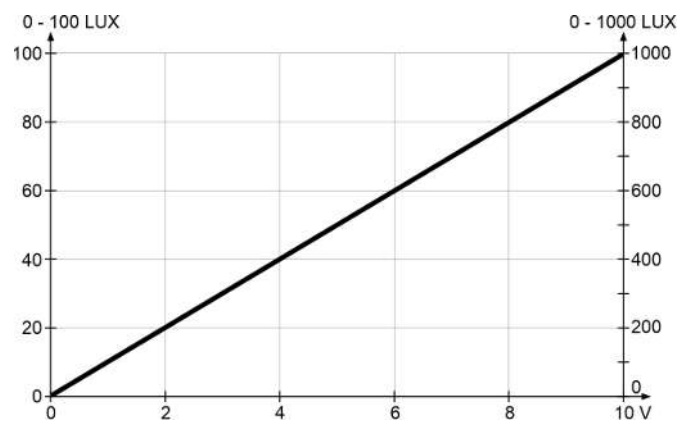


The DOL 16 is a sensor designed to measure light intensity. It is intended for application in livestock houses but is also well suited for a number of industrial applications.

Two variants of the sensor are available; one with a cable, and one with M12-connector/cable.

The sensor has two 0-10 V analog outputs with a very low output resistance and full protection against short circuits and wiring failures.

The sensor is microprocessor-controlled and has a two-color light emitting diode (LED) to communicate the operation status and the error diagnostic.



Product survey



140266 DOL 16 light sensor 0-100/1000 LUX 0-10V M12 plug

140268 DOL 16 light sensor 0-100/1000 LUX 0-10V

Output 1: 0-100 lux. Output 2: 0-1000 lux.

140270 DOL 16 light sensor 0-50/1000 LUX 0-10V

140271 DOL 16 light sensor 0-50/1000 LUX 0-10V M12 plug

Output 1: 0-50 lux. Output 2: 0-1000 lux.

The sensor can be used to measure the light intensity for main light and slave light, respectively.

Select the type of sensor that corresponds to the current brightness in the livestock house (measuring area).

Sensor with fixed cable.



140269 Cable 2 m M12 plug incl. sealing plug

2 meter cable for sensor with M12 plug and sealing plug.



380101 Bracket for DOL 16/104/114

Use mounting clips as DOL 16 must be mounted correctly in the required position.

Technical data

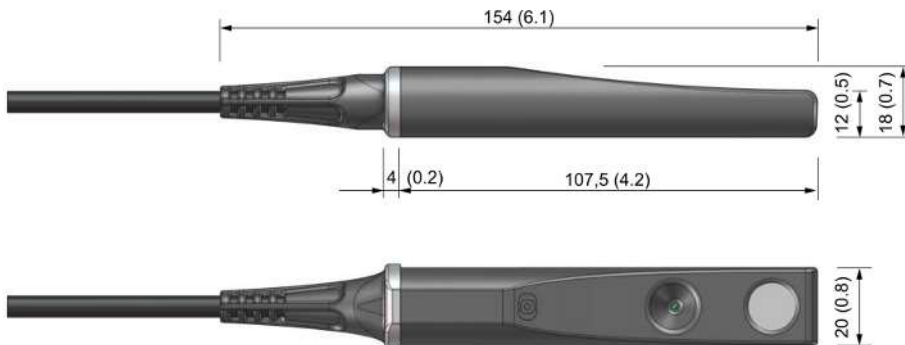
	Unit	Output 1	Output 2
Measurement range	Lux	0-100* 0-50**	0-1000
Accuracy		5-100 Lux +/- 4% at 0 – 40 °C (32 – 104 °F)* 2-50 Lux +/- 4% at 0 – 40 °C (32 – 104 °F)**	25-1000 Lux +/- 8% at 0 – 40 °C (32 – 104 °F)
Output signal (I_{out})		0.1 V / 1 Lux* 0.2 V / 1 Lux**	0.1 V / 10 Lux
		Common	
Time constant	Sec.	Typ. 2 max. 15	
Supply voltage (V_{supply})	V DC	11 - 30	
Supply current	mA	12 no load 55 max. load	

	Unit	Output 1	Output 2
Load	Ω	>500 – 10M	
Recommended load	k Ω	>100	
Output current	mA	20 per output (current limited)	
Output impedance	Ω	<1	
Temperature, operation	$^{\circ}\text{C}$ ($^{\circ}\text{F}$)	-40 – 60 (-40 – 140)	
IP classification	IP (NEMA)	67 (6)	
Cable		2 m (6.6 feet) 4 x 0.33 mm ² (22 AWG)	
Cable connection (only M12 variant)		M12 female connector with 2 m (6.6 feet) 4 x 0.33 mm ² (22 AWG) cable	
Max. cable length	m	100 0.82 mm ² (328 feet 18 AWG)	
Shipping weight	g (oz)	150 (5.3)	
Measure, shipment	mm (inch)	275 x 200 x 20 (11 x 8 x 0.8)	

* 140266, 140268

** 140270, 140271

Dimensioned sketch



Dimensions In mm (inch).

